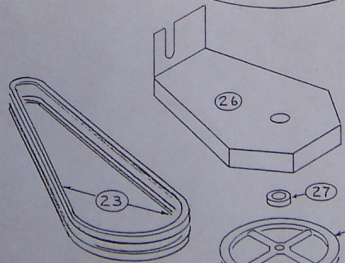
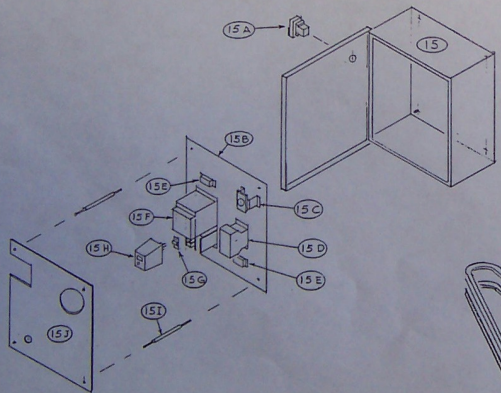
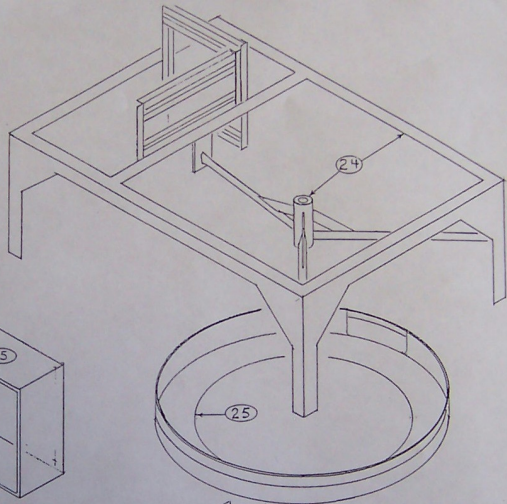


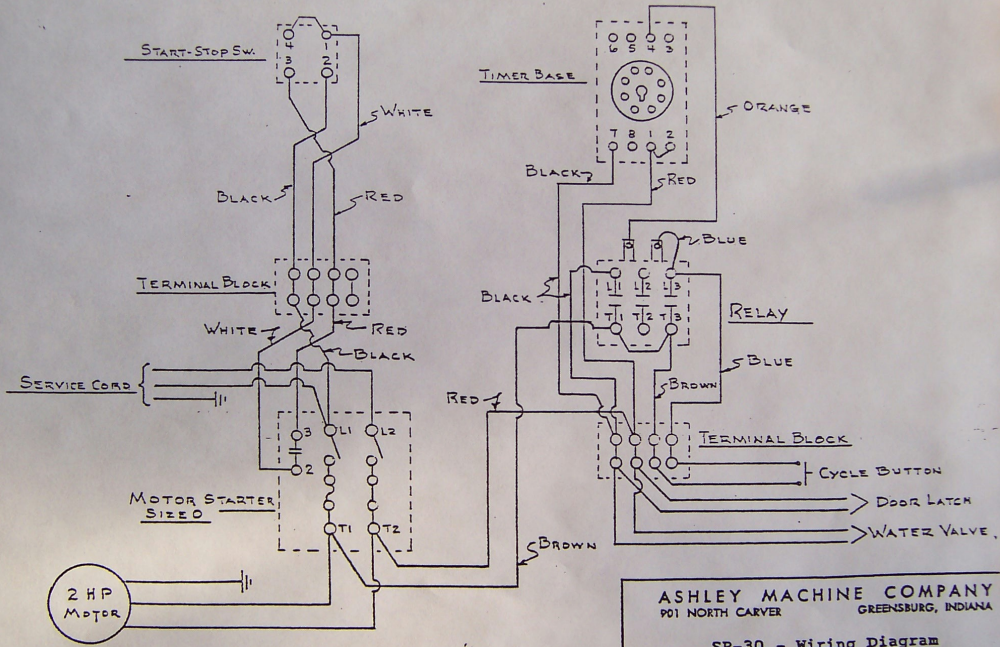
ASHLEY MACHINE COMPANY
 901 NORTH CARVER GREENSBURG, INDIANA
 SURE PICK - MODEL SP-30
 PARTS DIAGRAM

DATE	SCALE	DRAWING	BY
10-1-54	NONE	SP-30-PDI	JM



ASHLEY MACHINE COMPANY
 901 NORTH CARVER GREENSBURG, INDIANA
 SURE PICK - MODEL SP-30
 PARTS DIAGRAM

DATE	SCALE	DRAWING	BY
10-1-94	NONE	SP-30-PD2	JM



ASHLEY MACHINE COMPANY
 901 NORTH CARVER
 GREENSBURG, INDIANA

SP-30 - Wiring Diagram
 2 HP - 220V - Single Phase

DATE	SCALE	DRAWING	BY